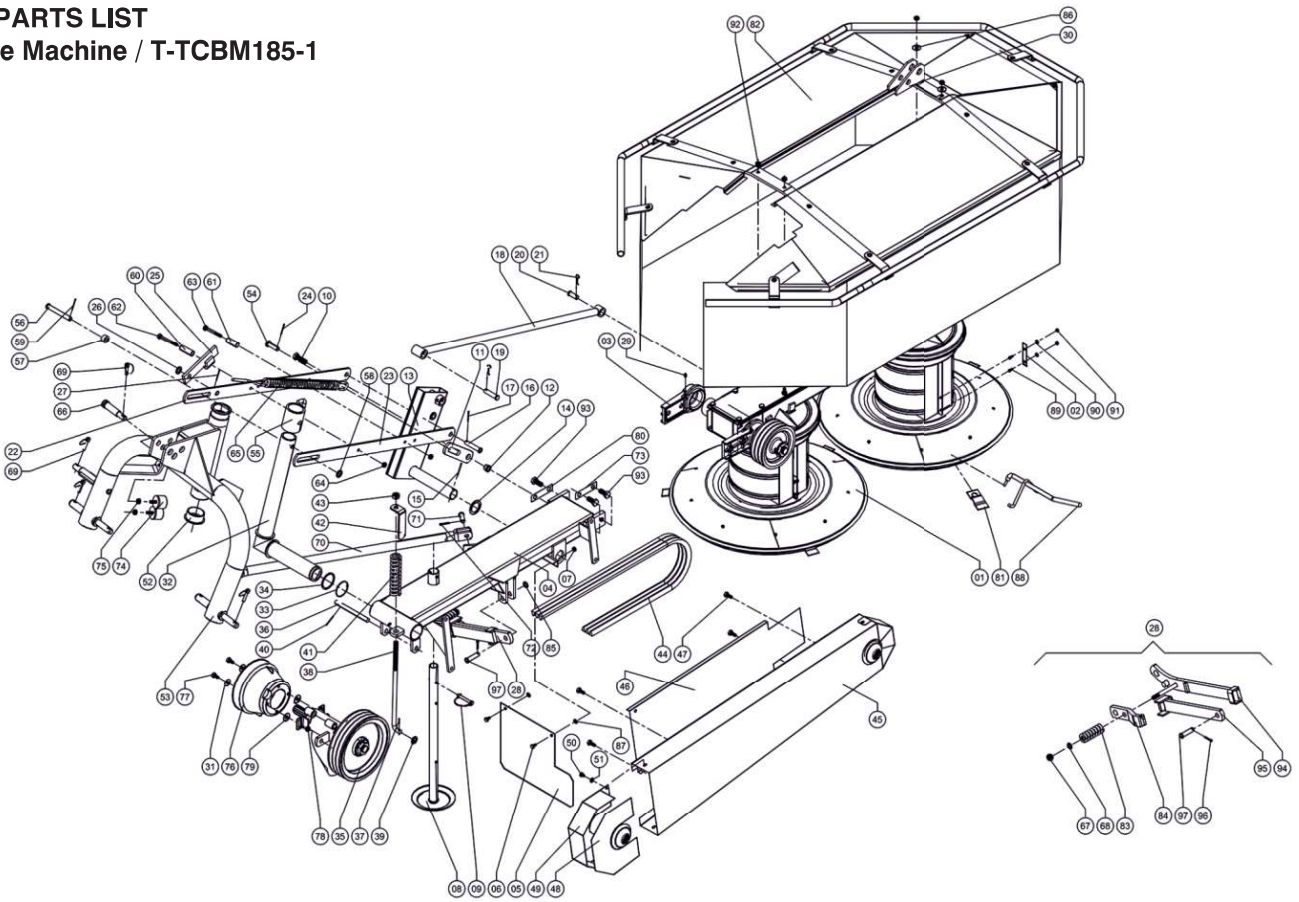




SPARE PARTS LIST  
Complete Machine / T-TCBM185-1





## SPARE PARTS LIST-1850

### SPARE PARTS LIST Complete Machine / T-TCBM185-1

Pos. number	Amount	Order Number	Explanation	Standard Norm	Old Number	Pos. number	Amount	Order Number	Explanation	Standard Norm	Old Number
1	1	200040141	GEARBOX AND DRUM GROUP 185			17	1	93200.0000000.015	SLOTTED PIN Ø8x45	DIN 1481	YARIKLI PİM Ø8x45
2	4	92150.0040121.026	CHOPPER BLADE		510.04.027.0 (TTCBM1651-1.2.59)	18	1	10040122.010.021000000	GEARBOX UPPER PIPE COMPLETE		546.05.008.0
3	1	10401201.431.000000000	JOINT		TTCBM1651-1.2.46	19	1	10040122.010.104000000	BAR CONNECTION PIN		546.05.007.0
4	1	10040144.010.011000000	WELDED MAIN HOLDER		546.02.001.0	20	1	10040142.010.062000000	BAR PIPE GEARBOX CONNECTION PIN		457.07.096.0
5	1	10401201.181.000000000	DUST SHEET		TTCBM1651-1.3.20	21	1	93200.0000000.007	SLOTTED PIN Ø6x30	DIN 1481	YARIKLI PİM Ø6x30
6	2	93021.0000000.157	BOLT	DIN 933	CÍVATA AKB M&x1,25x20 8.8	22	1	10040142.010.021000000	TENSION SHEET BAR COMPLETE-185		539.05.021.0
7	2	93082.0000000.015	NUT	DIN 985	SOMUN FİBERLİ M&x1,25	23	1	10040142.010.031000000	TENSION SHEET BAR 2-185		539.05.023.0
8	1	10401201.031.000000000	SUPPORT LEG		TTCBM1651-1.3.18	24	1	93120.0000000.008	COTTER	DIN 94	KOPÍLYA 5x40
9	1	92060.1501002.005	PIN		TOT-1.23	25	1	10401201.071.000000000	LOCK		TTCBM1651-1.1.9
10	1	93021.0000000.099	BOLT	DIN 933	CÍVATA AKB M16x2x50 8.8	26	1	93062.0000000.007	WASHER	DIN 125	RONDELA DÜZ M16
11	1	10401201.191.000000000	CONNECTION PART		TTCBM1651-1.1.13	27	1	93120.0000000.001	COTTER	DIN 94	KOPÍLYA 3x30
12	1	92160.0401201.025	CONNECTION BUSHING		TTCBM1651-1.10	28	1	10401201.080.000000000	SAFETY MECHANISM COMPLETE		TTCBM1651-1.28
13	1	10040142.010.011000000	BAR-185		546.05.002.0	29	3	93110.0000000.005	LUBRICATOR	DIN 71412	GRESÖRLÜK DÜZ M6
14	2	10401201.212.000000000	DISTANCE HOLDER ABD BAR WASHER		TTCBM1651-1.26	30	1	92150.0040111.056	UPPER ARM SIDE CONNECTION SHEET		546.00.002.0
15	1	93120.0000000.013	COTTER	DIN 94	KOPÍLYA 6x70	31	4	93062.0000000.004	WASHER		RONDELA DÜZ M10
16	1	10040122.010.104000000	BAR CONNECTION PIN		546.05.007.0	32	1	10401201.101.000000000	HITCH MITER		TTCBM1651-1.1.4



## SPARE PARTS LIST-1850

### SPARE PARTS LIST Complete Machine / T-TCBM185-1

Pos. number	Amount	Order Number	Explanation	Standard Norm	Old Number	Pos. number	Amount	Order Number	Explanation	Standard Norm	Old Number
33	1	93261.0000000.016	SNAP RING	DIN 471	SEGMAN MİL Ø60x2 ÇK75	49	1	92150.0040124.026	PROTECTION SMALL HEAD SHEET		541.02.027.0
34	1	10401201.611.000000000	SPECIAL RAYNEL		TTCBM1651-1.96	50	2	93021.0000000.153	BOLT	DIN 933	CIV-M8x1,25x12-8.8
35	1	10401201.111.000000000	SPLINED SLEEVE		TTCBM1651-1.4	51	2	93062.0000000.015	WASHER		RONDELÂ DÜZ 5/16" KALIN
36	1	10401201.262.000000000	CONNECTION SPINDLE		TTCBM1651-1.14	52	2	92070.0401201.001	PLASTIC BUSHING		TTCBM1651-1.1.5
37	1	93120.0000000.008	COTTER	DIN 94	KOPİLYA 5x40	53	1	10401201.480.000000000	THREE POINT HITCH		TTCBM1651-1.1.1
38	1	10401201.272.000000000	LEVEL SPINDLE		TTCBM1651-1.15	54	1	92160.0401201.024	BAR SHEET CONNECTION SHEET		TTCBM1651-1.1.22
39	1	93062.0000000.007	WASHER	DIN 125	RONDELA DÜZ M16	55	1	10401201.810.000000000	CAP		TTCBM1651-1.1.6
40	1	93120.0000000.008	COTTER	DIN 94	KOPİLYA 5x40	56	1	92160.0401201.018	CAP CONNECTION PIN		TTCBM1651-1.1.16
41	1	10401201.282.000000000	ADJUSTMENT SPINDLE SPRING	DIN 17223	TTCBM1651-1.17	57	1	10401201.352.000000000	DISTANCE BUSHING 1		TTCBM1651-1.1.17
42	1	10401201.292.000000000	TENSION SHEET		TTCBM1651-1.18	58	1	93062.0000000.007	WASHER	DIN 125	RONDELÂ DÜZ M16
43	1	93081.0000000.006	NUT	DIN 985	SOMUN AKB M16x2	59	1	93120.0000000.008	COTTER	DIN 94	KOPİLYA 5x40
44	3	93030.0000000.032	V BELT		KAYIS-V 17x3150	60	1	10401201.362.000000000	DISTANCE BUSHING 2		TTCBM1651-1.1.14
45	1	92150.0040141.021	BELT COVER		539.02.012.1	61	1	10401201.372.000000000	DISTANCE BUSHING 3		TTCBM1651-1.1.15
46	1	92150.0040141.020	BELT COVER FRONT SHEET 185		539.02.013.1	62	1	93021.0000000.021	BOLT	DIN 933	CIV-M10x1,5x90x25-8.8
47	4	93021.0000000.008	BOT	DIN 933	CİVATA AKB M10x1,5x20 8.8	63	1	93021.0000000.020	BOLT	DIN 933	CIV-M10x1,5x80x25-8.8
48	1	92150.0040124.027	PROTECTION BIG HEAD SHEET		541.02.028.0	64	2	93082.0000000.001	NUT	DIN 985	SOMUN FİBERLİ M10x1,5



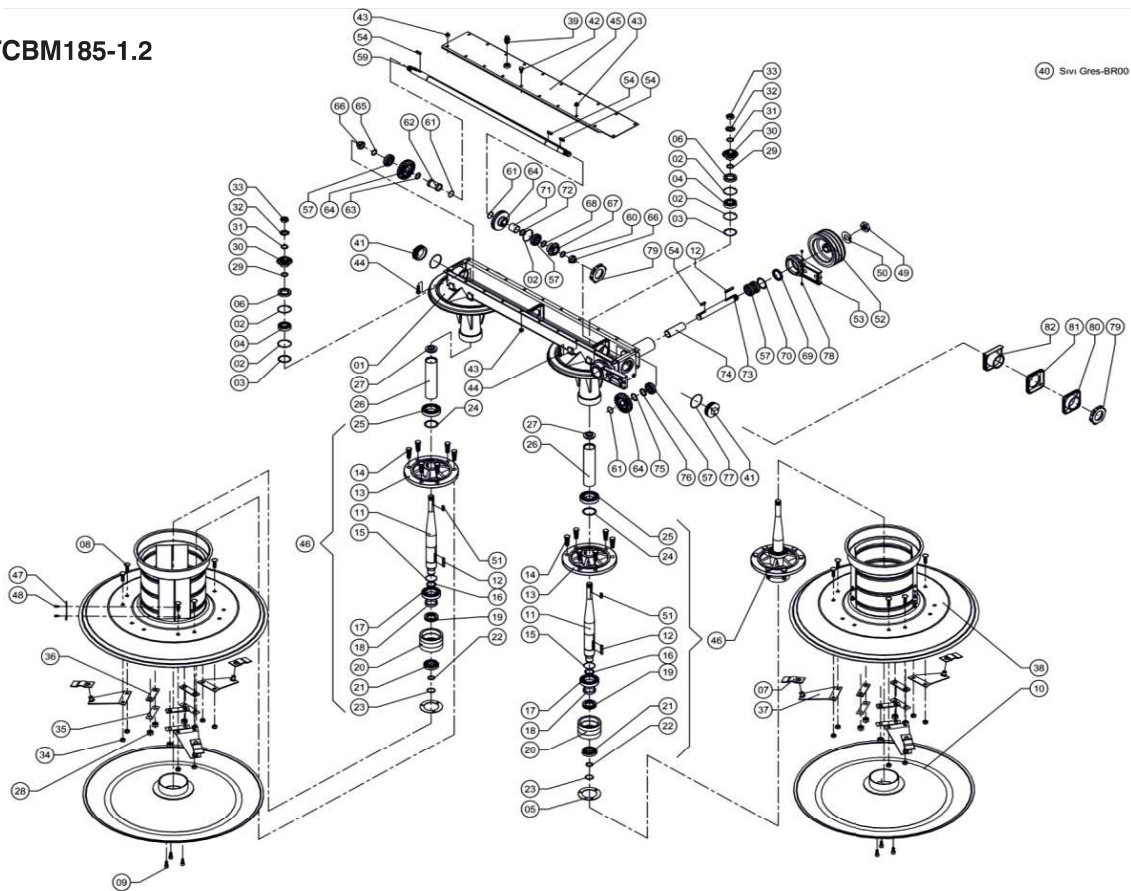
## SPARE PARTS LIST-1850

### SPARE PARTS LIST Complete Machine / T-TCBM185-1

Pos. number	Amount	Order Number	Explanation	Standard Norm	Old Number	Pos. number	Amount	Order Number	Explanation	Standard Norm	Old Number
						81	6	92080.0401201.001	BLADE CM 120		TTCBM1651-1.2.64
65	1	92060.0040122.001	THREE POINT HITCH SPRING	DIN 17223	TTCBM1651-1.1.12	82	1	10401201.501.000000000	CURTAIN GROUP		TTCBM1651-1.5
66	1	10401201.392.000000000	HITCH PIN		TTCBM1651-1.1.25	83	1	10401201.080.032000000	SAFETY SPRING		TTCBM1651-1.3.10
67	1	93082.0000000.005	NUT		SOMUN FİBERLİ M14x2	84	1	10401201.080.021000000	SAFETY BAR		TTCBM1651-1.3.9
68	1	93062.0000000.023	WASHER		RONDELÂ DÜZ 9/16" KALIN	85	1	93062.0000000.007	WASHER	DIN 125	RONDELÂ DÜZ M16
69	4	93240.0000000.003	PIN		PİM ARMUT BAŞLI MAŞALI Ø10	86	4	93062.0000000.005	WASHER	DIN 125	RONDELÂ DÜZ M12
70	1	10401201.141.000000000	DISTANCE FRAME SIDE PIPE		TTCBM1651-1.3.15	87	2	93062.0000000.013	WASHER	DIN 125	RONDELÂ DÜZ M8
71	1	92160.0401201.028	DISTANCE PIPE CONNECTION PIN		TTCBM1651-1.3.16	88	1	10401201.161.000000000	BLADE TOOL		TTCBM1651-1.27
72	1	93120.0000000.008	COTTER	DIN 94	KOPİLYA 5x40	89	8	93021.0000000.139	BOLT	DIN 933	CİVATA AKB M6x1x16 8.8
73	1	10401201.422.000000000	SUPPORT SHEET 3		TTCBM1651-1.09	90	8	93064.0000000.007	WASHER	DIN 127-B	RONDELÂ YAYLI M6
74	2	93025.0000000.005	PLASTIC STOPPER		LASTİK TAKOZ Ø50x30 M10	91	8	93081.0000000.022	NUT	DIN 985	SOMUN AKB M6x1
75	2	93082.0000000.001	NUT	DIN 985	SOMUN FİBERLİ M10x1,5	92	4	93082.0000000.003	NUT	DIN 985	SOMUN FİBERLİ M12x1,75
76	1	92070.1202510.001	PLASTIC PTO COVER		TTCBM-MUHAFAZA	93	3	93021.0000000.096	BOLT	DIN 933	CİVATA AKB M16x2x35 8.8
77	2	93021.0000000.009	BOLT	DIN 933	CİVATA AKB M10x1,5x25 8.8	94	1	10401201.080.041000000	SAFETY BAR		TTCBM1651-1.3.7
78	2	93082.0000000.001	NUT	DIN 985	SOMUN FİBERLİ M10x1,5	95	1	10401201.080.011000000	SAFETY BAR FLAT		TTCBM1651-1.3.8
79	2	10401201.110.022000000	COVER WASHER		TTCBM1651-1.11	96	1	93120.0000000.008	COTTER	DIN 94	KOPİLYA 5x40
80	1	10401201.010.142000000	SUPPORT SHEET 2		TTCBM1651-1.2.66	97	1	10401201.242.000000000	GEARBOX UPPER CONNECTION PIN		TTCBM1651-1.1.24



SPARE PARTS LIST  
Gear Box Group / T-TCBM185-1.2





## SPARE PARTS LIST-1850

### SPARE PARTS LIST

#### Gear Box Group / T-TCBM185-1.2

Pos. number	Amount	Order Number	Explanation	Standard Norm	Old Number	Pos. number	Amount	Order Number	Explanation	Standard Norm	Old Number
1	1	10040141.010.011000000	GEARBOX 185		539.03.001.0	17	2	93071.0000000.030	BEARING	DIN 625	RULMAN 6210 C3 2RS
2	5	93262.0000000.011	RING	DIN 472	SEGMAN DELİK Ø62x2 Ck75	18	2	92160.0401201.009	BEARING DISTANCE RING		TTCBM1651-1.2.11
3	2	93210.0000000.045	LAYNER	DIN 988	SIM 50x62x0,20	19	2	93074.0000000.002	BEARING	DIN 711	RULMAN 51109 BBC
4	2	93071.0000000.044	BEARING	DIN 625	RULMAN 6305 C3 2RS	20	2	92020.0401201.008	INSIDE HOUSING		TTCBM1651-1.2.13
5	2	92150.0401201.073	UPPER SLEVE WASHER		TTCBM1651-1.2.70	21	2	93071.0000000.019	BEARING	DIN 625	RULMAN 6207 C3 2RS
6	2	93041.0000000.018	OIL FELT	DIN 3760	KEÇE YAĞ 40x62x10	22	2	93210.0000000.038	LAYNER		SIM 35x45x2,00
7	6	92080.0401201.001	BLADE CM 120		TTCBM1651-1.2.64	23	2	93261.0000000.009	SPINDLE RING	DIN 471	SEGMAN MİL Ø35x1,5 Ck75
8	12	93024.0000000.011	BOLT		CİVATA KBBB M12x1,75x25 8.8	24	2	93210.0000000.009	LAYNER	DIN 988	SIM 50x62x0,50
9	6	93023.0000000.004	BOLT	DIN 912	CİVATA İMB M10x1,5x30 8.8	25	2	93071.0000000.030	BEARING	DIN 625	RULMAN 6210 C3 2RS
10	2	10401301.010.100000000	BOTTOM DISK		TTCBM1901-2.3	26	2	92160.0401201.062	DISTANCE PIPE		TTCBM1651-1.2.17
11	2	122.0000.0040141.160.001	CONICAL SHAFT 185		539.03.023.0	27	2	92160.0401201.001	DISTANCE PIPE SPECIAL BUSHING		TTCBM1651-1.2.18
12	3	93150.0000000.003	WEDGE	DIN 6885	KAMA 8x7x55 A	28	12	93081.0000000.006	NUT	DIN 934	SOMUN AKB M16x2 8.8
13	2	92020.0401201.007	HUB		TTCBM1651-1.2.8	29	2	92150.0401201.004	DISTANCE WASHERØ33x25,5x2		TTCBM1651-1.2.5
14	12	10040141.010.063000000	BIJON 185		539.03.024.0	30	2	92120.0401201.001	SMALL HOUSING CONICAL GEAR Z.15		TTCBM1651-1.2.20
15	2	92160.0401201.008	BIG WIRE RING	DIN 7993	TTCBM1651-1.2.78	31	2	93210.0000000.017	LAYNER	DIN 988	SIM 25x36x1,00
16	2	93210.0000000.048	LAYNER	DIN 988	SIM 50x62x0,80	32	2	10401201.010.090000000	SPECIAL ASPELYA		TTCBM1651-1.2.72



## SPARE PARTS LIST-1850

### SPARE PARTS LIST

#### Gear Box Group / T-TCBM185-1.2

Pos. number	Amount	Order Number	Explanation	Standard Norm	Old Number	Pos. number	Amount	Order Number	Explanation	Standard Norm	Old Number
33	2	92160.0401201.002	CONICAL SPINDLE ADJUSTMENT NUT		TTCBM1651-1.2.22	49	1	92160.0401201.006	SHORT SPINDLE ADJUSTMENT RIGHT NUT		TTCBM1651-1.2.77
34	12	93082.0000000.003	NUT	DIN 985	SOMUN FIBERLI M12x1,75	50	1	92150.0401201.006	NUT SAFETY SHEET		TTCBM1651-1.4.10
35	6	10401201.010.142000000	SUPPORT SHEET 2		TTCBM1651-1.2.66	51	2	93150.0000000.010	COTTER	DIN 6885	KAMA 8x7x32 B
36	6	10401201.010.132000000	SUPPORT SHEET 1		TTCBM1651-1.2.65	52	1	92020.0401201.006	GEARBOX PULLEY		TTCBM1651-1.2.47
37	6	10401201.010.051000000	BLADE HOLDER		TTCBM1651-1.2.114 (TTCBM1651-1.2.62,-1.2.63)	53	1	92020.0401201.005	JOINT		TTCBM1651-1.2.46
38	2	10040141.010.030000000	UPPER DISC 185		539.03.020.1	54	4	93150.0000000.002	COTTER	DIN 6885	KAMA 8x7x30 B
39	1	92160.0209103.011	AIR PLUG M20x1,5		TKMR130-1.4.18	55	4	93071.0000000.017	BEARING	DIN 625	RULMAN 6206 C3
40	1	93130.0000000.002	GREASE OIL 6KG.		GRES-BR000	56	1	92160.0040141.002	GEARBOX LONG SPINDLE 185		539.03.028.0
41	2	92070.0401201.003	PLASTIC COVER		TTCBM1651-1.2.39	57	1	93210.0000000.023	LAYNER		SIM 28x36x0,70
42	16	93021.0000000.008	BOLT	DIN 933	CIVATA AKB M10x1,5x20 8.8	58	3	92160.0401201.003	RING	DIN 7993	TTCBM1651-1.2.24
43	20	93082.0000000.001	NUT	DIN 985	SOMUN FIBERLI M10x1,5	59	1	92160.0401201.004	DISTANCE TUBE		TTCBM1651-1.2.25
44	4	93021.0000000.012	BOLT	DIN 933	CIVATA AKB M10x1,5x40 8.8	60	1	93210.0000000.033	LAYNER	DIN 988	SIM 30x42x0,50
45	1	10040141.010.050000000	GEARBOX COVER SHEET-185		539.03.027.1	61	3	92120.0401201.002	BEVEL GEAR Z:23		TTCBM1651-1.2.27
46	2	10401201.010.023000000	HUB ASSEMBLY		TTCBM1651-1.2.101	62	1	92150.0401201.074	DISTANCE WASHER Ø40x25,5x2		TTCBM1651-1.2.29
47	4	92150.0040121.026	CHOPPER BLADE		510.04.027.0 (TTCBM1651-1.2.59)	63	2	92160.0401201.005	GEARBOX LONG SPINDLE ADJUSTMENT NUT		TTCBM1651-1.2.30
48	8	93021.0000000.139	BOLT	DIN 933	CIVATA AKB M6x16 8.8	64	1	92120.0401201.003	BIG HOUSING CONICAL GEAR Z:15		TTCBM1651-1.2.34

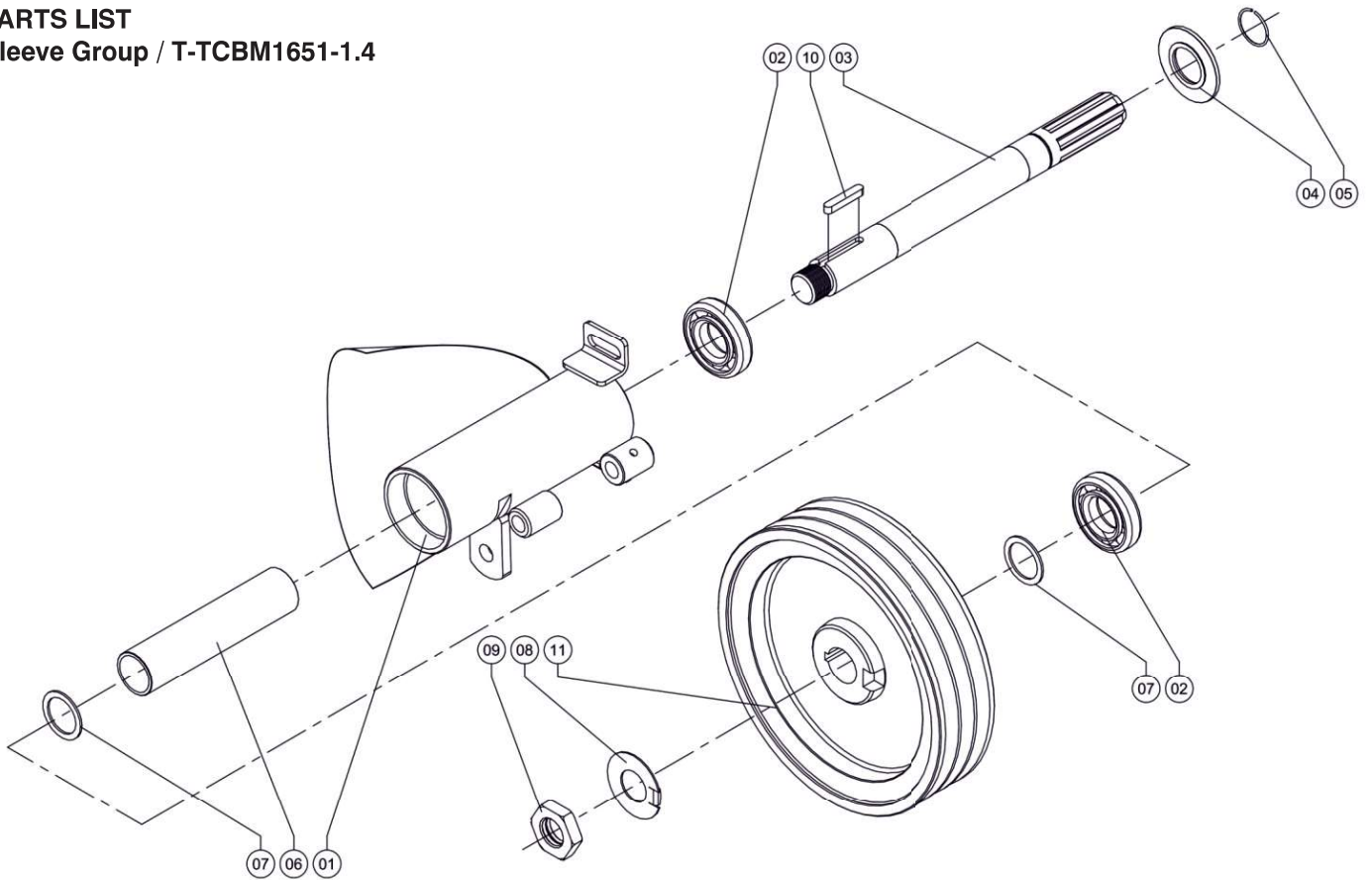
**SPARE PARTS LIST**  
**Gear Box Group / T-TCBM185-1.2**

Pos. number	Amount	Order Number	Explanation	Standard Norm	Old Number
65	1	93210.0000000.033	LAYNER	DIN 988	SIM 30x42x0,50
66	1	93041.0000000.024	OIL FELT	DIN 3760	KEÇE YAĞ 45x62x7
67	1	93210.0000000.065	LAYNER	DIN 988	SIM 35x45x0,50
68	1	92160.0401201.063	DISTANCE TUBE 2		TTCBM1651-1.2.31
69	1	93210.0000000.033	LAYNER	DIN 988	SIM 30x42x0,50
70	1	92160.0401201.051	SHORT SPINDLE		TTCBM1651-1.2.41
71	1	92160.0401201.064	DISTANCE TUBE 3		TTCBM1651-1.2.40
72	1	...	LAYNER		SIM 30x40x0,50
73	1	93210.0000000.031	LAYNER		SIM 30x40x1,00
74	1	93050.0000000.008	O-RING		O-RING 55x2,5
75	1	93110.0000000.005	LUBRICATOR	DIN 71412	GRESÖRLÜK DÜZ M6
76	1	92020.0040124.004	NUT		510.03.032.0
77	1	10040121.010.010030000	GEARBOX SHORT UNSIDE HOUSING-165-185-135		510.03.008.0
78	1	10040141.010.010010010	GEARBOX LONG INSIDE HOUSING SHEET 165-185-135		510.03.016.0
79	1	10040121.010.010040000	GEARBOX LONG INSIDE HOUSING-165-185-135		510.03.014.0





**SPARE PARTS LIST**  
**Splined Sleeve Group / T-TCBM1651-1.4**





SPARE PARTS LIST

Splined Sleeve Group / T-TCBM1651-1.4

Pos. number	Amount	Order Number	Explanation	Standard Norm	Old Number
1	1	10401201.110.010000000	SPLINED SLEEVE		TTCBM1651-1.4.1
2	2	93071.0000000.019	BEARING	DIN 625	RULMAN 6207 C3 2RS
3	1	92160.0401201.050	TAIL AXLE		TTCBM1651-1.4.3
4	1	92160.0401201.037	COVER		TTCBM1651-1.4.4
5	1	92160.0401201.066	RING	DIN 471	TTCBM1651-1.4.5
6	1	92160.0401201.065	DISTANCE PIPE		TTCBM1651-1.4.6
7	2	93210.0000000.065	LAYNER		SIM 35x45x0,50~2,00
8	1	92150.0401201.006	NUT SAFETY SHEET		TTCBM1651-1.4.10
9	1	92160.0401201.038	TAIL AXLE LEFT NUT		TTCBM1651-1.2.49
10	1	93150.0000000.012	COTTER	DIN 6885	KAMA 8x7x45 A
11	1	92020.0401201.011	BIG PULLEY		TTCBM1651-1.4.09



## SPARE PARTS LIST-1850

### SPARE PARTS LIST Curtain Group / T-TCBM185-1.5

Pos. number	Amount	Order Number	Explanation	Standard Norm	Old Number
1	1	92150.0040141.011	CURTAIN BAR 3 WELDED		539.00.125.0
2	1	92150.0040141.011	CURTAIN BAR 3		539.00.119.0
3	2	92150.0040141.010	CURTAIN BAR 2		539.00.120.0
4	1	92150.0040141.009	CURTAIN BAR 1		539.00.121.0
5	1	92150.0040141.018	CURTAIN SHEET LEFT WELDED		539.00.110.0
6	1	92150.0040141.016	CURTAIN SHEET RIGHT WELDED		539.00.113.0
7	1	92150.0040141.014	CURTAIN SHEET FRONT WELDED		539.00.116.0
8	1	539.50.011.0	CURTAIN PIPE 4		539.50.011.0
9	1	539.50.009.0	CURTAIN PIPE 2		539.50.009.0
10	1	539.50.007.0	CURTAIN PIPE 1		539.50.007.0
11	1	539.50.004.0	CURTAIN PIPE 3		539.50.004.0
12	1	539.50.013.0	CURTAIN PIPE 5		539.50.013.0
13	13	93024.0000000.012	BOLT		CIVATA KBBB M8x1,25x30 8.8
14	13	93082.0000000.015	NUT		SOMUN FİBERLİ M8x1,25
15	1	92090.0401301.001	CURTAIN 410x5600 1900		TTCBM1901-8.15
16	13	93062.0000000.013	WASHER		RONDELÂ DÜZ M8

